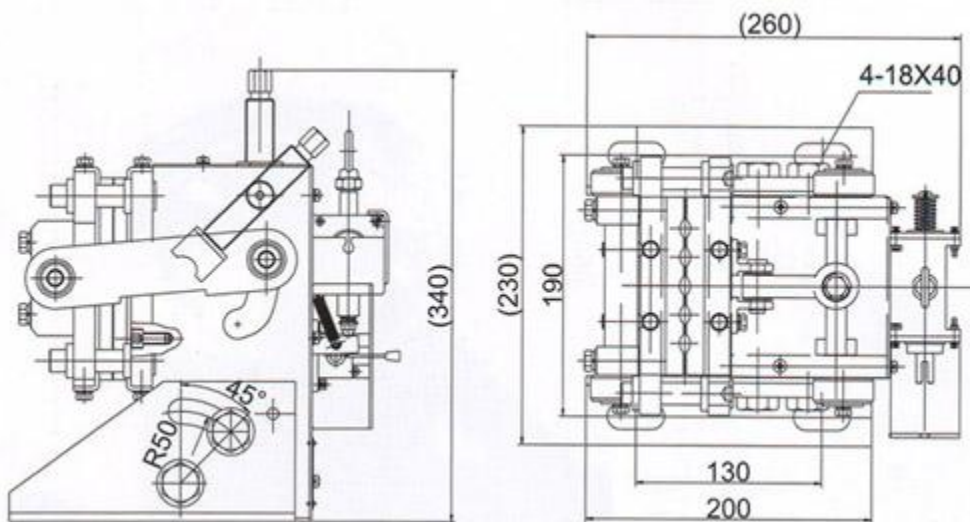


## Mechanical Rope Gripper OX-250



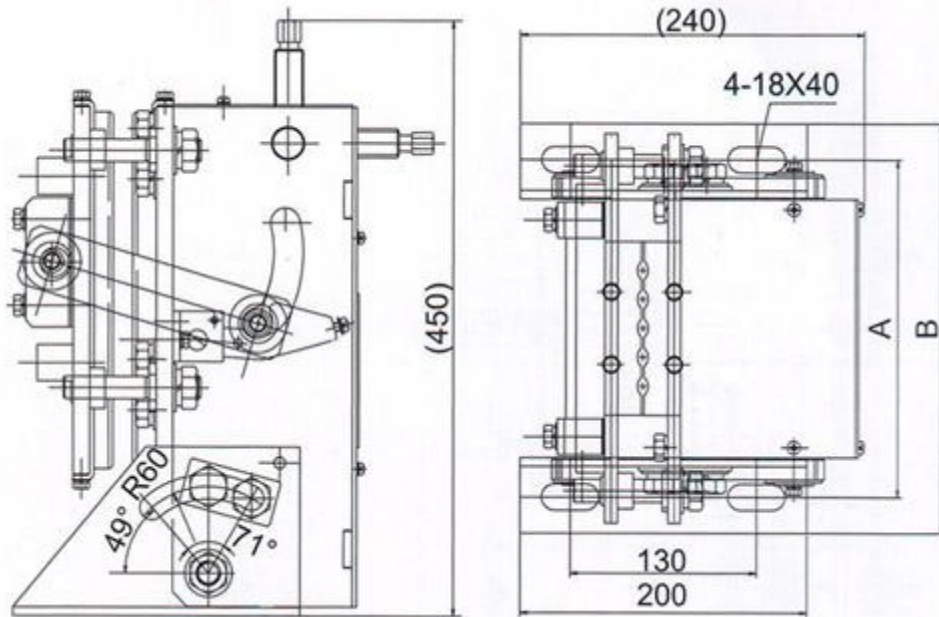
### Installation Dimension: OX-250-A



### Specification:

Rated Speed	a)1:1 $V \leq 2.5\text{m/s}$ b)2:1 $V \leq 1.25\text{m/s}$
Rated Load Range	a)1:1 $Q = 320\text{kg} \sim 1600\text{kg}$ b)2:1 $Q = 640\text{kg} \sim 3000\text{kg}$
Total Weight	a)1:1 $992\text{kg} \sim 5425\text{kg}$ b)2:1 $1984\text{kg} \sim 10850\text{kg}$

**Installation Dimension:**  
**OX-250-B**



**Specification:**

Item	A	B	Wire Rope Diameter	Number of Groove	Traction Sheave Groove Specification
01	235	285	≤16MM	≤5	≤25MM
02	270	320	≤16MM	6~8	≤25MM

Rated Speed	a)2:1 V≤0.5m/s b)4:1 V≤0.25m/s
Rated Load Range	a)2:1 Q=3000kg~5000kg b)4:1 Q=6000kg~10000kg
Total Weight	a)2:1 5590kg~11500kg b)4:1 11180kg~23000kg