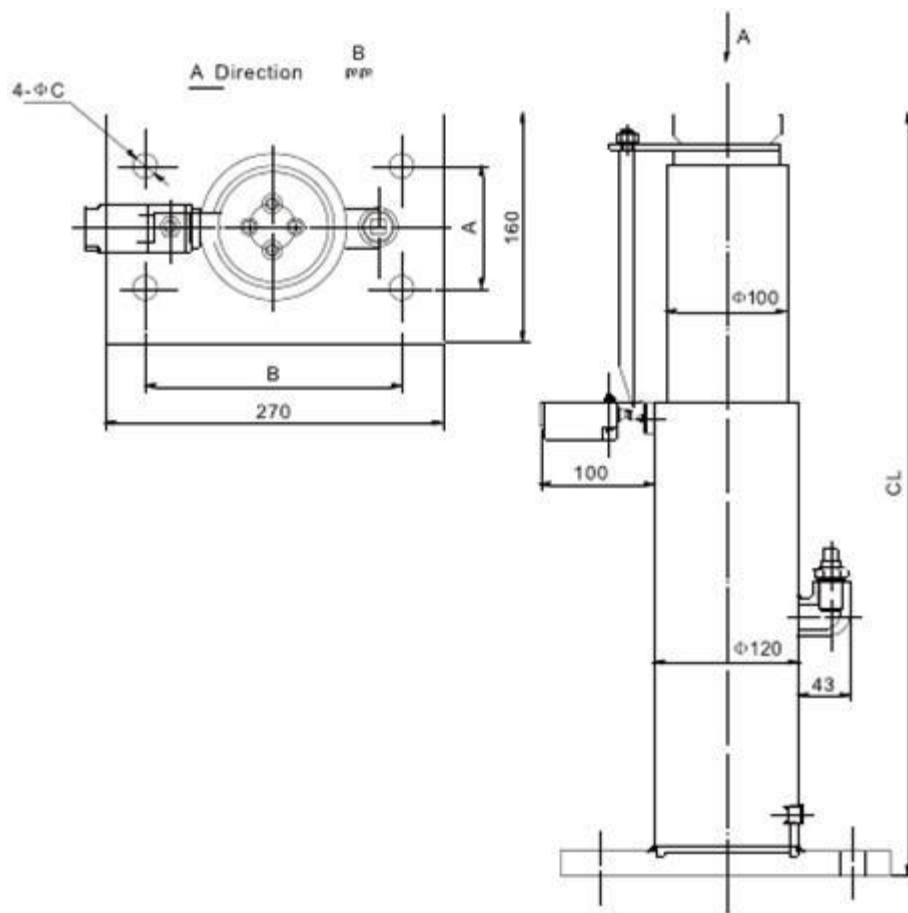


OB Series Oil Buffer



Installation Dimension:



Specification:

Type	Load-bearing Range (Kg)	Plunger Stroke (mm)	Free State Height (mm)	Oil Cubage (L)	Rated Speed (m/s)	A (mm)	B (mm)	C (mm)
OB10	300-2500	100	385	0.4	0.25-1.0	90	150	14
OB16	700-5300	175	625	1.7	1.0-1.6	100	210	18
OB18	900-5300	230	765	2.1	≤1.8	100	210	18
OB20	1300-5300	290	915	2.6	1.6-2.0	100	210	18
OB25	1300-5300	435	1300	3.7	2.0-2.5	100	210	18
OB31	1300-5300	680	1920	5.6	3.1	100	210	18
OB35	1300-5300	860	2365	7.1	3.5	100	210	18